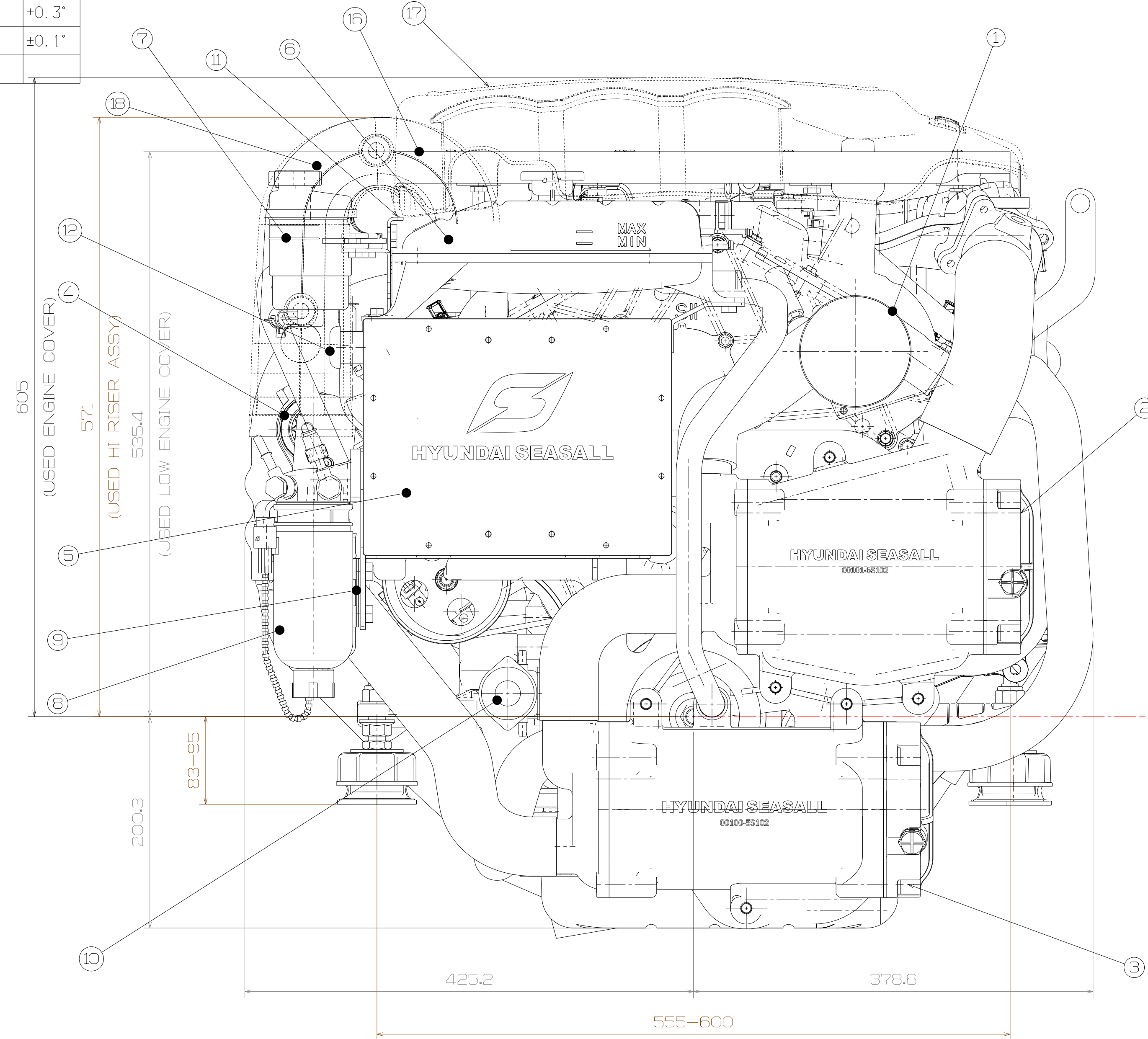


03900-BS101 A0

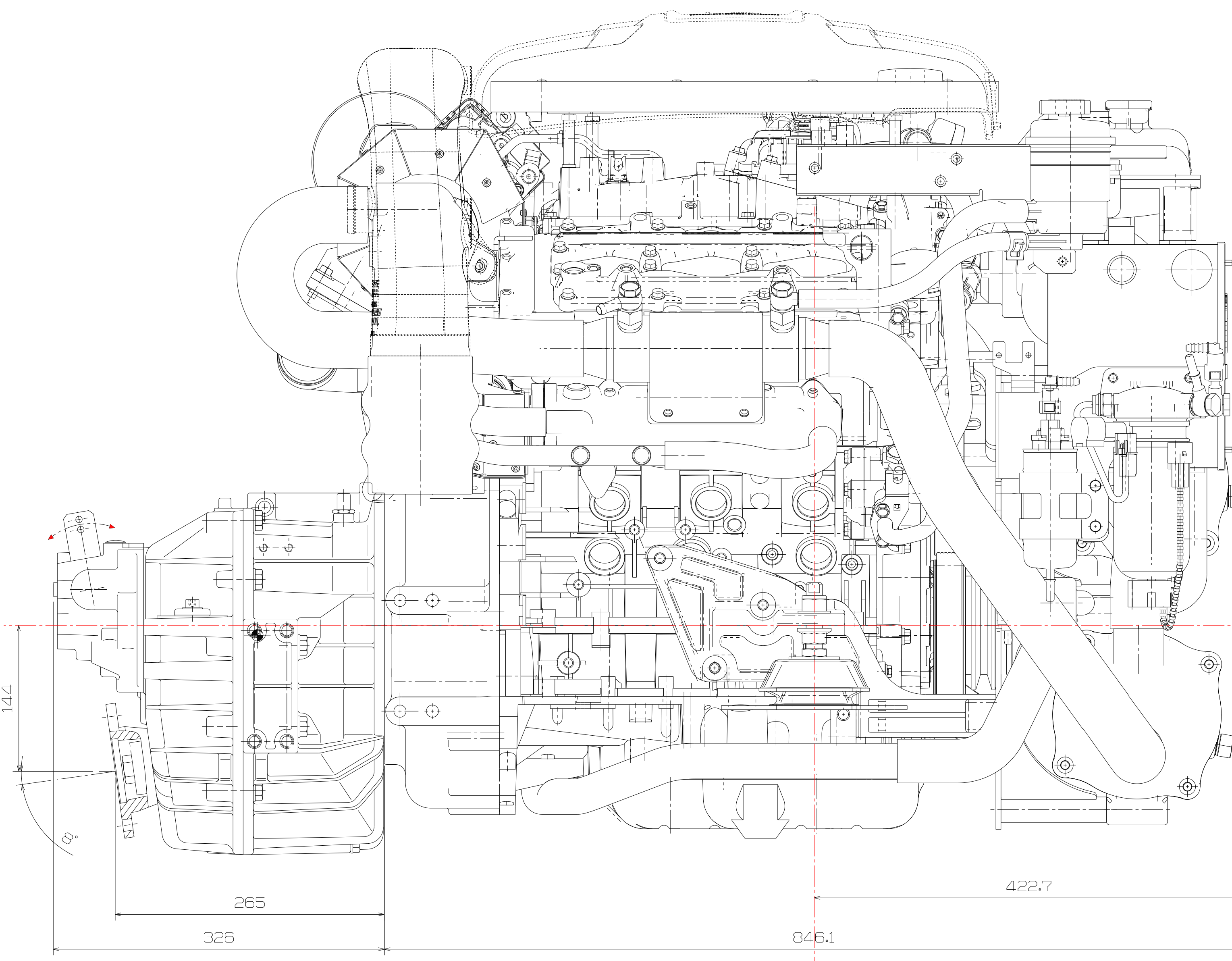
GENERAL TOLERANCE

DIM	ANGLE		
1 ~ 6	±0.1	0 ~ 10	±1'
6 ~ 30	±0.2	10 ~ 50	±0.5'
30 ~ 120	±0.3	50 ~ 120	±0.3'
120 ~ 400	±0.5	120 ~ 400	±0.1'
400 ~ 1000	±1.0		

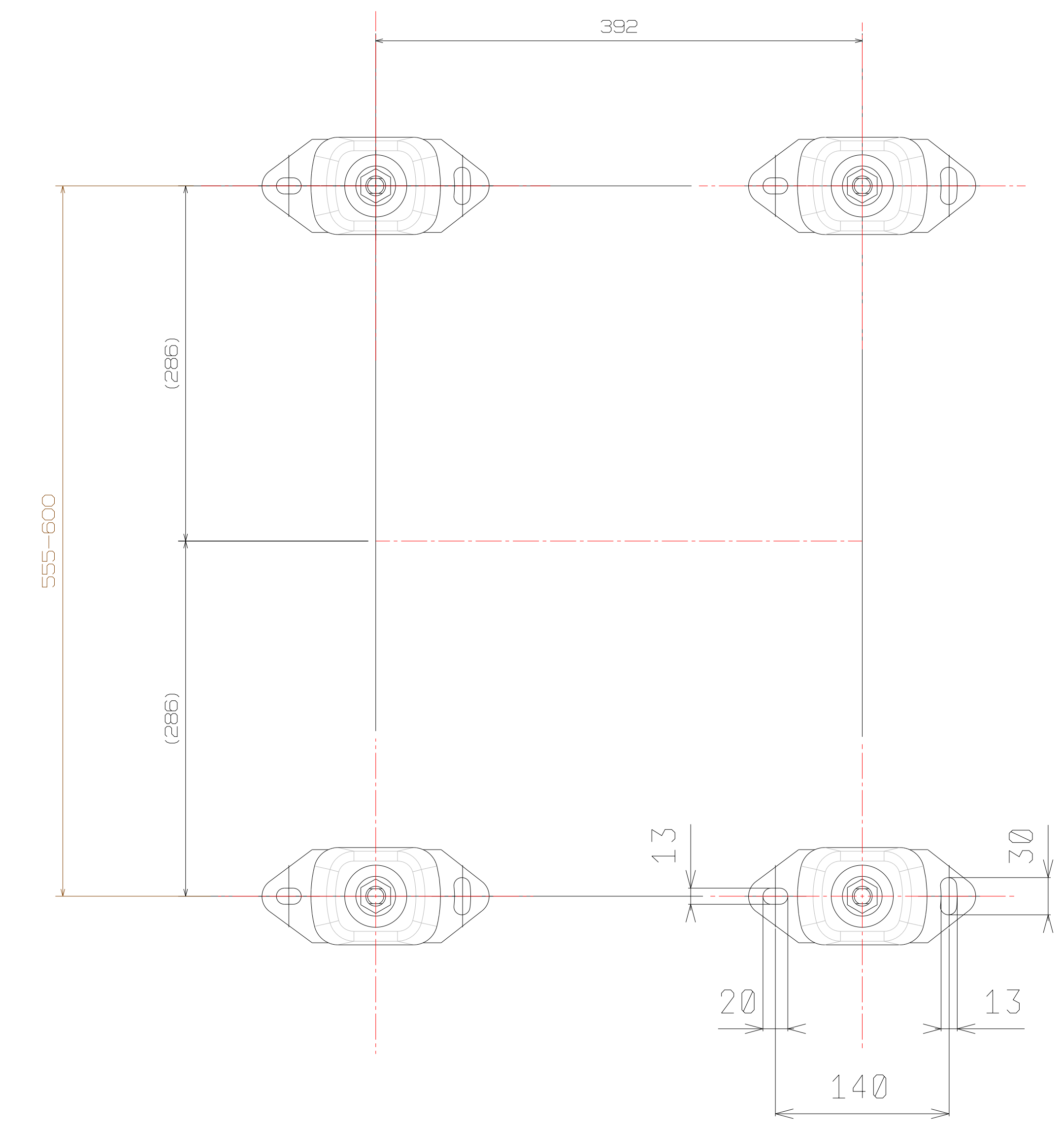
No	DATE	REVISION	EO NUMBER
1	20140514	RELEASED	HS#-2014-053
2	20150108	ADD ENGINE COVER LENGTH	
3	20150612	ADD HI RISER ASSY	HS#-2015-056



CRANK SHAFT



- ① SEAWATER PUMP
- ② INTERCOOLER
- ③ HEAT EXCHANGER
- ④ POWER STEERING & GEARBOX OIL COOLER
- ⑤ ECU CASE WITH ENGINE CONTROL UNIT & RELAY ASSY
- ⑥ COOLANT EXPANSION TANK
- ⑦ POWER STEERING OIL RSV.TANK
- ⑧ FUEL FILTER
- ⑨ FUEL PUMP FROM FUEL TANK (LOW PRESSURE) :  $\phi 8\text{mm}$
- ⑩ ELECTRIC ENGINE OIL DRAIN PUMP
- ⑪ BRACKET FOR SHIFTING POSITION
- ⑫ EMERGENCY ENGINE STOP SWITCH
- ⑬ SEAWATER HOSE CONNECTION :  $\phi 46\text{mm}$
- ⑭ ACCEL POSITION SENSOR WITH THROTTLE CABLE CONNECTION
- ⑮ ENGINE OIL LEVEL GAUGE
- ⑯ LOW ENGINE COVER
- ⑰ ENGINE COVER
- ⑱ HI-RISER ASSY



NOTES  
1. 치수 따지 말 것. (DO NOT SCALE)

QTY	QTY No.	PART No.	PART NAME	MTRL	REMARK
			현대세아씨즈올주식회사 HYUNDAI SEASALL Co.		
			설계 (DESIGNED) CY.KIM	검核 (CHECKED)	승인 (APPROVED)
			소재 (MATERIAL)	비율 (SCALE) 1/3	본국 (DO NOT SCALE)
			표면처리 (FINISH)	공차 (TOL) .00	제외 (EXC) 0.00
			부호 (PART NAME) S270P+ZF63A 인스톨 도면 S270P+ZF63A INSTALLATION DRAWING		
			도면 (PART NO) 03900-BS101	도면 (SIZE) A0	페이지 (PAGE) 1